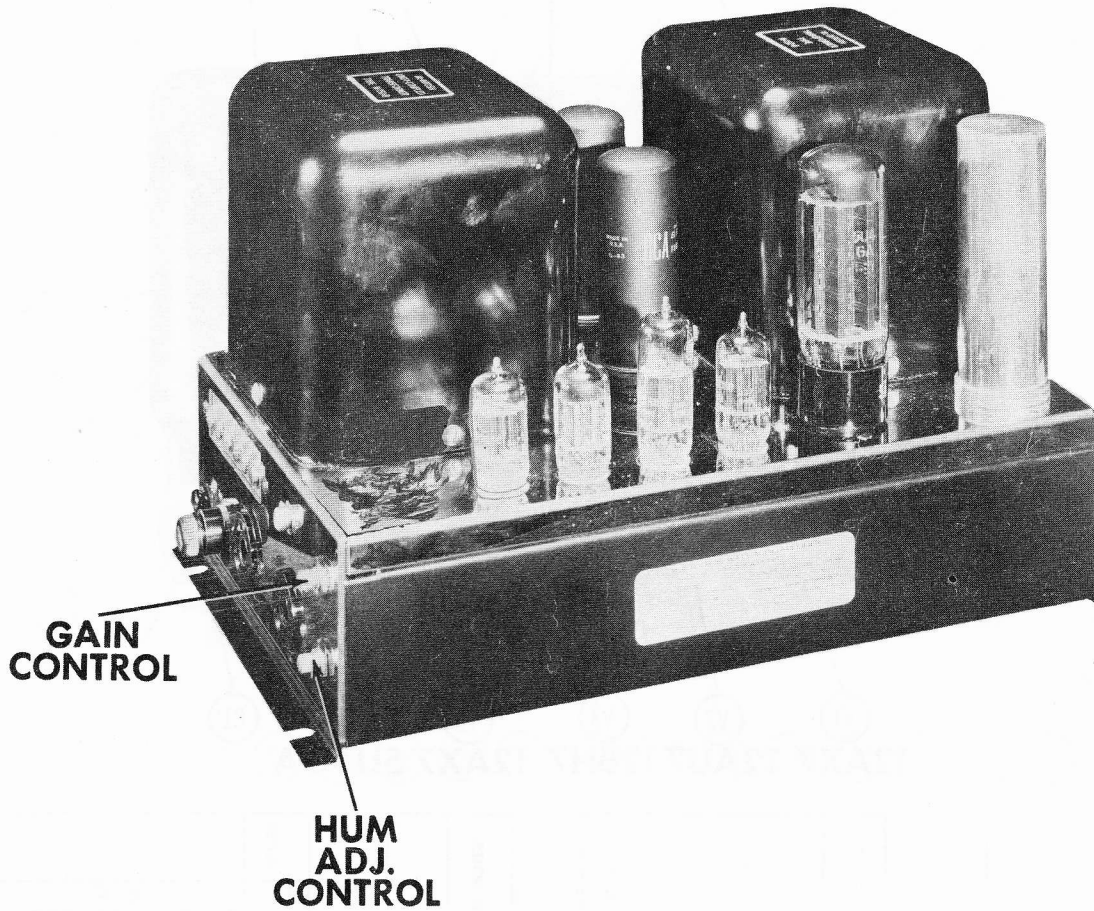




MC INTOSH
MODEL MC-30



MC INTOSH
MODEL MC-30

TRADE NAME	Mc Intosh Model MC-30
MANUFACTURER	Mc Intosh Laboratory, Inc., 320 Water St., Binghamton, N. Y.
TYPE SET	AC Operated 30 Watt Audio Amplifier
TUBES (Seven)	Types 12AX7 Preamp., 12AU7 AF Amp. -Phase Inverter, 12BH7 Driver, 12AX7 Driver, (2) 1614 Output, 5U4GA Rectifier
POWER SUPPLY	117/125 Volts AC-50/60 Cycles RATING 1.03 Amp. @ 117 Volts AC

HOWARD W. SAMS & CO., INC. • Indianapolis 5, Indiana

"The listing of any available replacement part herein does not constitute in any case a recommendation, warranty or guaranty by Howard W. Sams & Co., Inc., as to the quality and suitability of such replacement part. The numbers of these parts have been compiled from information furnished to Howard W. Sams & Co., Inc., by the manufacturers of the particular type of replacement part listed."
"Reproduction or use, without express permission, of editorial or pictorial con-

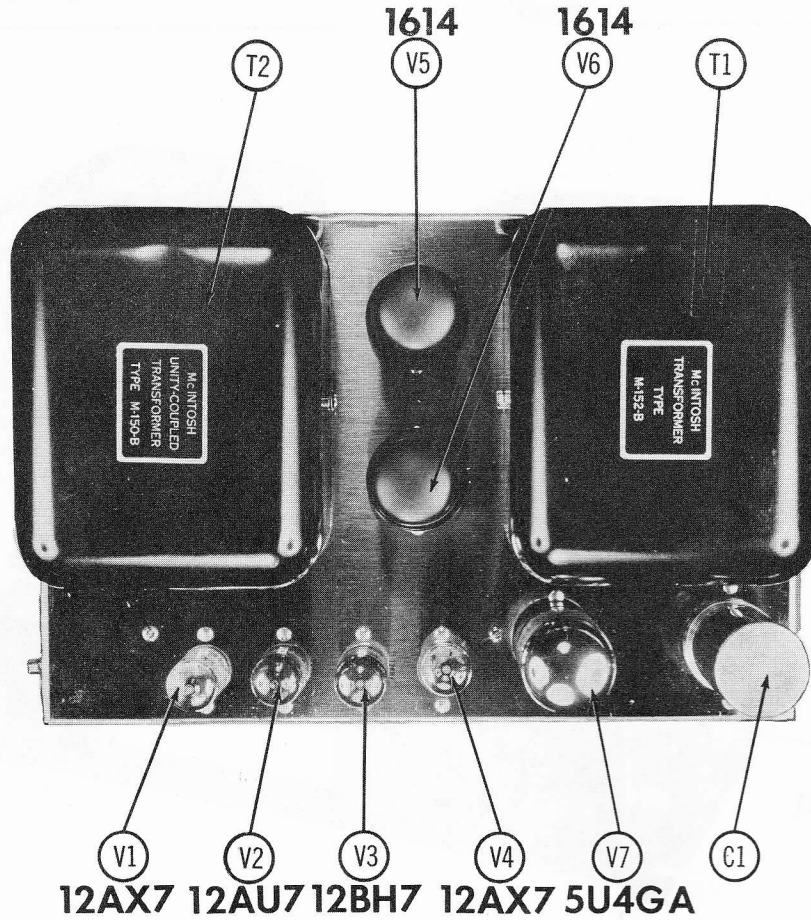
tent, in any manner, is prohibited. No patent liability is assumed with respect to the use of the information contained herein. Copyright 1955 by Howard W. Sams & Co., Inc., Indianapolis 5, Indiana, U. S. of America. Copyright under International Copyright Union. All rights reserved under Inter-American Copyright Union (1910) by Howard W. Sams & Co., Inc." Printed in U. S. of America

PARTS LIST AND DESCRIPTIONS

TUBES (SYLVANIA, GENERAL ELECTRIC, WESTINGHOUSE)

MC INTOSH
MODEL MC-30

CHASSIS—TOP VIEW



CAPACITORS

Capacity values given in the rating column are in mfd. for Electrolytic and Paper Capacitors, and in mmfd. for Mica and Ceramic Capacitors.

ITEM No.	USE	REPLACEMENT DATA			NOTES
		MC INTOSH PART No.	STANDARD REPLACEMENT	RETMA BASE TYPE	
V1	Pre-amplifier	12AX7	12AX7	9A	
V2	A.F. Amplifier-	12AU7	12AU7	9A	
V3	Phase Inverter	12BH7	12BH7	9A	
V4	Driver	12AX7	12AX7	9A	
V5	Output	1614	1614	7S	
V6	Output	1614	1614	7S	
V7	Rectifier	5U4GA	5U4GA	5T	

ITEM No.	RATING CAP. VOLT	REPLACEMENT DATA				SANGAMO PART No.
		MC INTOSH PART No.	CENTRALAB PART No.	ERIE PART No.	MALLORY PART No.	
C1A	40			FP378	TM-804020-450	T-180
C1B	60			TC36	TD-25-50	FM-0825
C1C	20			TC72	TD-10-450	FM-4510
C2	50			PT401	IMP4-PI	330401
C3	10		DF-104	PT4047	IMP2-P47	3302047
C4	.1			UC-5347	IMP4-P22	3304022
C5	.47		GP2K-471	PT4022	IMP4-S47	3304147
C6	470			PT4147	IMP6-P25	3306025
C7	.22			PT6025	IMP4-PI	330401
C8	.047		DF-503	PT4147		
C9	.047		DF-503	PT6025		
C10	.25			PT401		
C11	.25					
C12	.1					

CONTROLS

ITEM No.	RATING RESIST. ANCE	REPLACEMENT DATA			INSTALLATION NOTES
		MC INTOSH PART No.	CENTRALAB PART No.	MALLORY PART No.	
R1A	500KΩ	6154455	QJ-133	U-50	Gain Attach to R1A Hum Adj.
R2	250KΩ	Not Req.	Not Req.	Not Req.	

RESISTORS

ITEM No.	RATING OHMS	REPLACEMENT DATA		NOTES
		MC INTOSH PART No.	IRC PART No.	
R3	100KΩ		BTS-100K	
R4	27KΩ		BTS-27K	
R5	3.3Meg		BTS-3.3Meg	
R6	3300Ω		BTS-3300	
R7	68Ω 5%		BTS-68 5%	
R8	100KΩ		BTS-100K	
R9	2200Ω 5%		BTS-2200 5%	
R10	330KΩ		BTS-330K	
R11	1Meg		BTS-1Meg	
R12	1.2Meg		BTS-1.2Meg	
R13	18KΩ		BTS-18K	
R14	27KΩ 5%		BTS-27K 5%	
R15	2.2Meg		BTS-2.2Meg	
R16	3000Ω 5%		BTS-3000 5%	
R17				

* R20 and R23 are matched within 1%, when replacing.

PARTS LIST AND DESCRIPTIONS (Continued)
TRANSFORMER (POWER)
CHASSIS—BOTTOM VIEW

ITEM No.	RATING			REPLACEMENT DATA				Thordarson PART No.
	PRI.	SEC. 1	SEC. 2	MC INTOSH PART No.	Stancor PART No.	Meritt PART No.	Triad PART No.	
T1	117/125 VAC @ 1.03A	752VCT .110ADC @ 3A	5VAC @ 3A	M-152-B	PC-8410Q			

① Drill new mounting holes.

TRANSFORMER (AUDIO OUTPUT)

ITEM No.	IMPEDANCE	REPLACEMENT DATA				NOTES
		MC INTOSH PART No.	Stancor PART No.	Meritt PART No.	Thordarson PART No.	
T2	1KΩ PRI.1 16Ω CT tap @ 837.4Ω RES SEC.2 36.4Ω RES CT 1.4Ω tap @ 30.4Ω	M-150-B				

COILS (RF-IF)

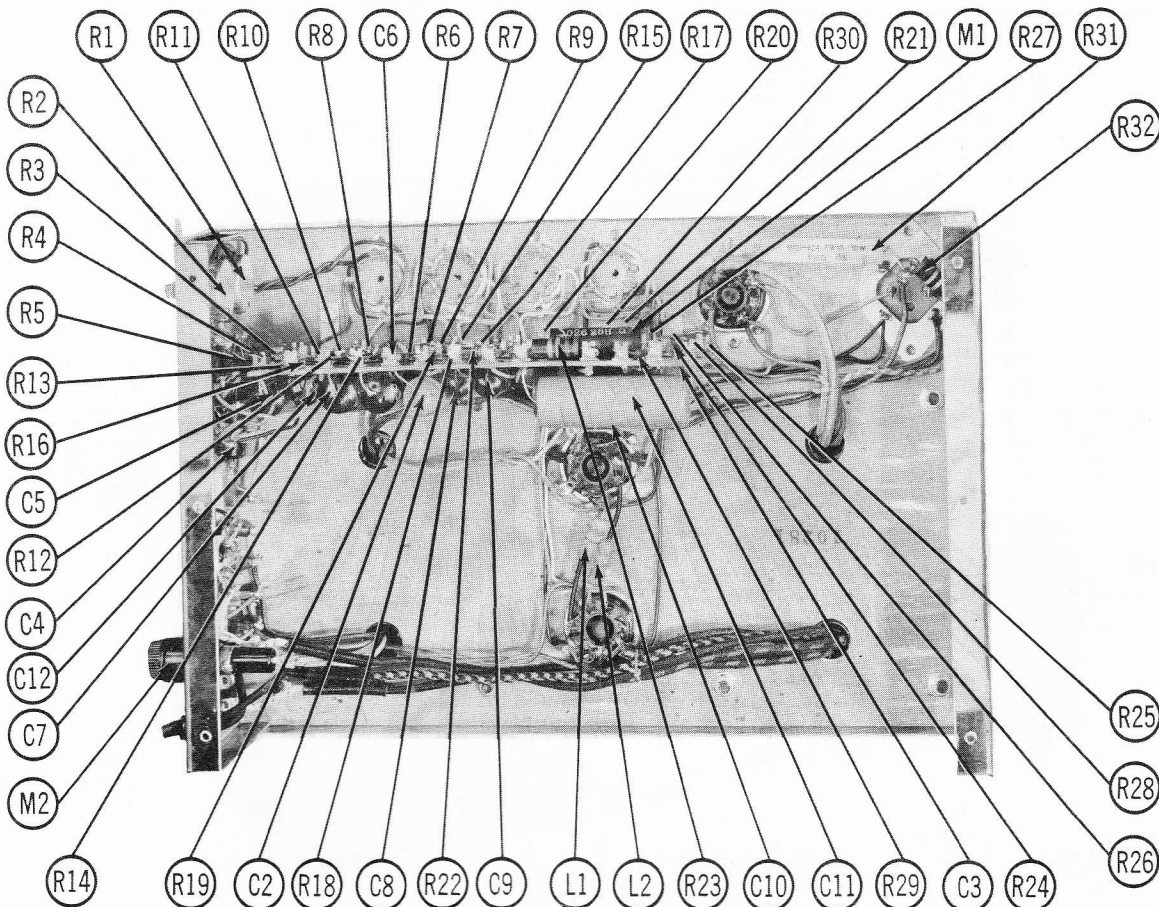
ITEM No.	USE	DC RES.		REPLACEMENT DATA		NOTES
		PRI.	SEC.	MC INTOSH PART No.	WEISSNER PART No.	
L1	R.F. Choke	1.2Ω		19-1001		1.5 Microhenries IRC part #CLA
L2	R.F. Choke	2.2		19-1002		2.7 Microhenries IRC part #CLA

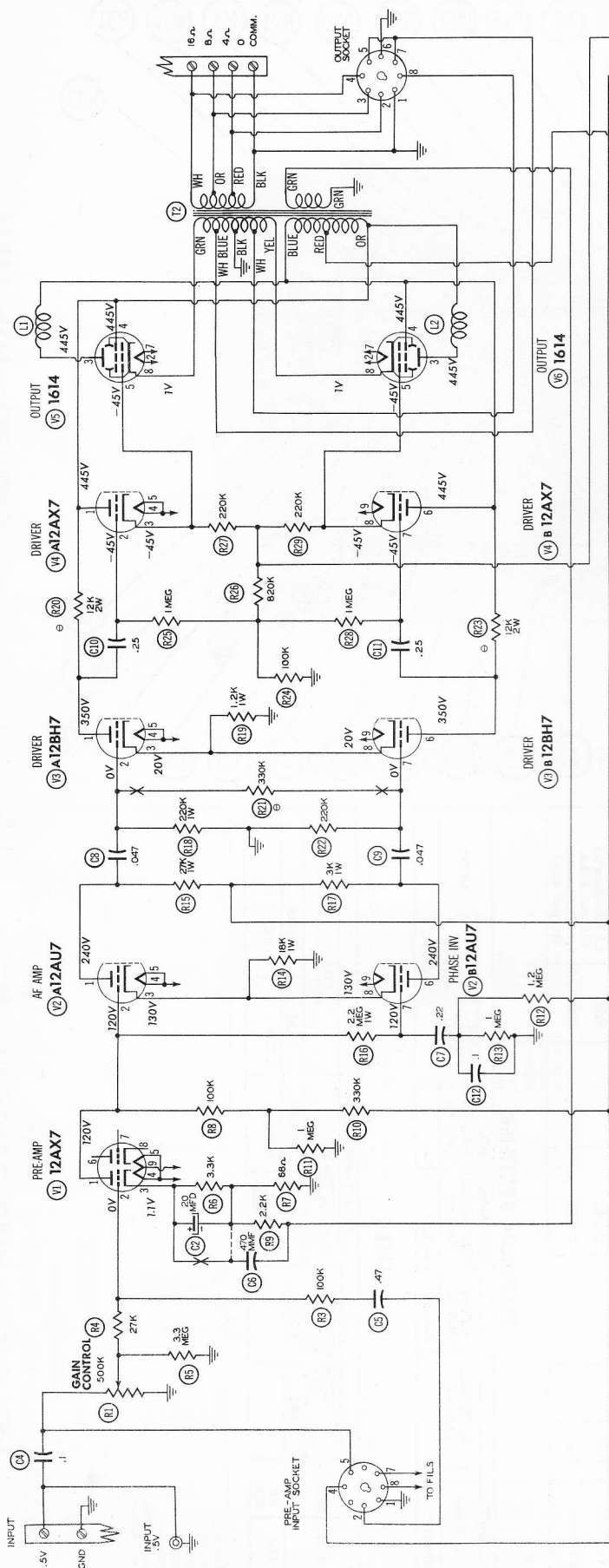
SELENIUM RECTIFIER

ITEM No.	RATING	REPLACEMENT DATA				NOTES
		MC INTOSH PART No.	FEDERAL INTERNATIONAL PART No.	MALLOYRY PART No.	RADIO RECEPTOR PART No.	
M1	.004ADC	8A25P	V-20HP		026-28H-Q	

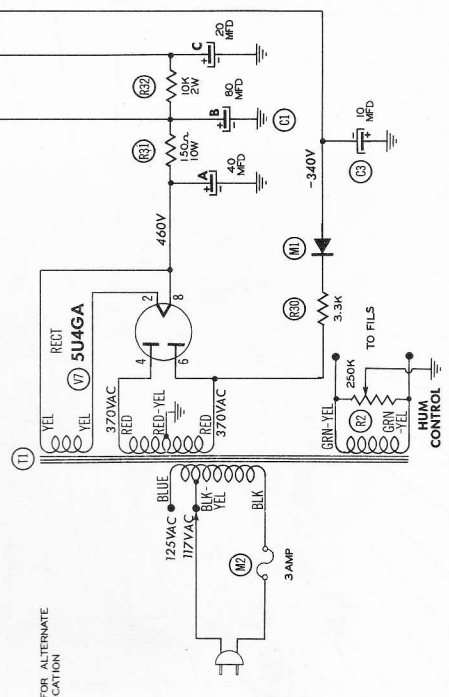
FUSES

ITEM No.	TYPE	RATING	REPLACEMENT DATA			
			MC INTOSH PART No.	FUSE HOLDER	FUSE HOLDER	FUSE HOLDER
M2	3AG	3A 250V		312002 (SAG-3A)	342001	AGC 3





THE COOPERATION OF THE MANUFACTURERS OF THIS EQUIPMENT MAKES IT POSSIBLE TO BRING YOU THIS SERVICE



SEE PARTS LIST FOR ALTERNATE VALUE OR APPLICATION

RESISTANCE READINGS

Item	Tube	Pin 1	Pin 2	Pin 3	Pin 4	Pin 5	Pin 6	Pin 7	Pin 8	Pin 9
V 1	12AX7	1680KΩ	30KΩ	3.3KΩ	45Ω	45Ω	NC	NC	NC	45Ω
V 2	12AU7	138KΩ	150KΩ	150KΩ	45Ω	45Ω	140KΩ	14.5MΩ	18KΩ	45Ω
V 3	12BH7	12.8KΩ	220KΩ	1.2KΩ	45Ω	45Ω	12.8KΩ	220KΩ	1.2KΩ	45Ω
V 4	12AX7	1200Ω	1.1MΩ	1.1MΩ	45Ω	45Ω	1200Ω	1.1MΩ	1MΩ	45Ω
V 5	1614	0Ω	45Ω	1200Ω	850KΩ	NC	45Ω	45Ω	15Ω	
V 6	1614	0Ω	45Ω	1200Ω	850KΩ	NC	45Ω	45Ω	20Ω	
V 7	5U4GA	NC	85KΩ	NC	45Ω	45Ω	NC	45Ω	NC	85KΩ

NC - NO CONNECTION
 1 - MEASURED FROM PIN 2 OF V7

- DC voltage measurements taken with vacuum tube voltmeter;
- AC voltage measured at 1000 ohms per volt.
- Resistor color code is shown above component values.
- Motor connections are shown above motor views.
- Line voltage maintained at 117 volts for voltage readings.
- Normal tolerance on component values makes possible a variation of ±1% in the output level.
- All controls at minimum, proper output load connected.