

the Hobbyist, Experimenter, SWL and Hi-Fi'er

# POPULAR ELECTRONICS

SEPTEMBER  
1957

35  
CENTS

*Multiple Speakers  
for Very Best  
in Hi-Fi*

(pp. 59 & 67)



E-30-12524-FEB-1960  
WILLIAM MORRIS  
939 WESTFIELD RD  
SPRINGFIELD PA



the National Bu-  
ards transmitter  
VV; this station  
any time of the  
10, 15, 20, and  
y be recognized  
semble those of

reover switch on  
o "100 kc." and  
control up to  
h proper opera-  
eat note will be  
g that the 100-  
is emitting a  
to WWV's fret-  
t the trimmer  
e FO-1L board

BFO may be  
you check for  
100-kc. marker  
out the band.  
l test, you will  
the output level  
calibrator using  
3; it may also  
loosen the cou-  
the calibrator

10-kc. multivi-  
t the change-  
"10 kc." and  
potentiometer  
board for a  
on. This is ac-  
rotating the  
tuning to the  
e harmonic of  
a either WWV  
broadcast sta-  
tometer is ad-  
multivibrator  
and produces a  
the broadcast  
cycles per sec-  
is useful here  
visible oscilla-  
en zero beat is

ency measure-  
ver calibration  
outlined in the  
forms a part  
s. The success  
you have with  
depends in part  
handle it. The  
important to  
your receiver  
the incoming  
out is required  
der harmonics,

-30-

ELECTRONICS



## Transistor Topics

By LOU GARNER

WITH the hottest part of summer past and autumn just around the corner, chances are many POP'tronics readers have found that their fingers are starting to itch . . . that the old urge is returning . . . and that they get chills up and down their spines whenever they look in a radio parts catalog.

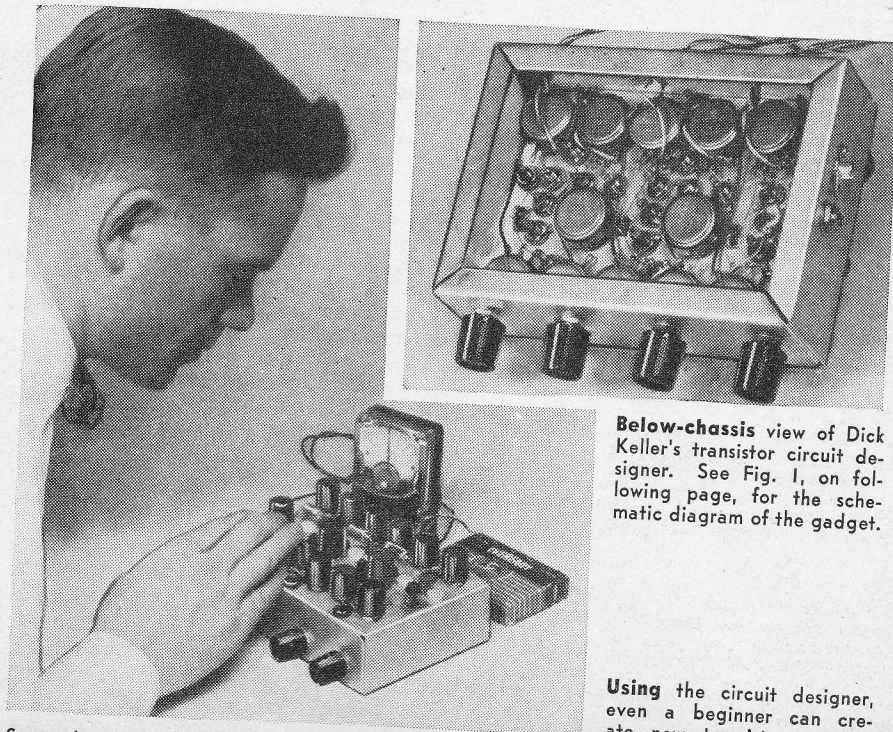
All of these sensations are symptoms of that old and rather pleasant ailment—"electronic builditis." A sure remedy is to choose a good project from your favorite magazine, gather together the necessary parts, heat up the old soldering iron—and start assembling. So why not start with a transistorized project?

**Transistor Circuit Designer.** Few thrills match that of creating and developing a completely new circuit. Unfortunately, transistor circuit design is not easy. There are so many variables to consider

that even a highly trained design engineer may have difficulty designing a circuit "on paper" that will work without changes when it is assembled.

But Dick Keller, of the Semiconductor Products Department of *General Electric*, has developed an instrument that should prove valuable in every electronics workshop. Dubbed a *Transistor Circuit Designer*, it will enable a fledgling to devise new transistor circuits with an ease approaching that of an "old hand." And you don't have to know . . . or to use . . . mathematics to operate the device!

Basically, the circuit designer consists of a partially wired three-stage transistor circuit assembled on a 5" x 7" aluminum chassis (see Fig. 1 and the photos). Sockets are provided for each transistor, with small potentiometers used for all resistive elements. Six potentiometers are available



**Below-chassis view of Dick Keller's transistor circuit designer.** See Fig. 1, on following page, for the schematic diagram of the gadget.

**Using the circuit designer, even a beginner can create new transistor circuits.**

September, 1957

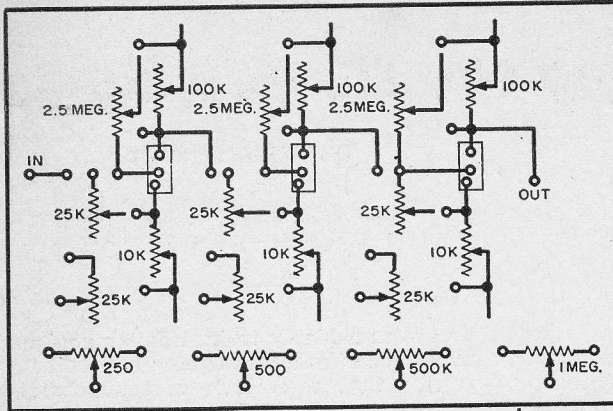


Fig. 1. Schematic diagram of the circuit designer. Small potentiometers are used for all resistive elements.

Fig. 2. Two-transistor receiver circuit, submitted by reader Roy Frank. It utilizes complementary properties of n-p-n and p-n-p transistors.

for each stage. Instead of trying individual resistors one at a time, the best value can be determined simply by adjusting the appropriate pot.

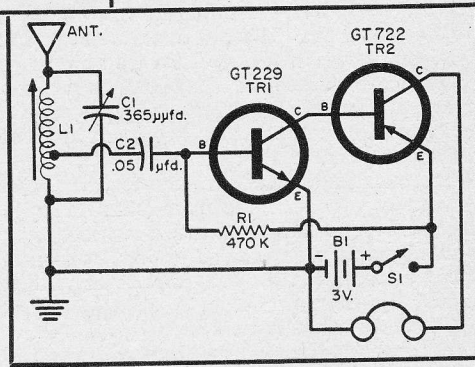
The transistor electrodes may be returned to either polarity of the external battery power supply and even reversed from one stage to the next for *n-p-n/p-n-p* configurations. Pin jacks are used for each terminal connection, making it a simple matter to insert capacitors, transformers, coils, diodes, or other special components into the circuit being designed.

In operation, a tentative circuit is assembled by interconnecting appropriate pin jacks with short wire leads. Afterwards, the emitter, base, and collector resistor values may be adjusted experimentally simply by rotating the proper potentiometer. Once the desired circuit operation is achieved, the resistance values may be measured and fixed resistors specified in the final design.

If there is any question concerning circuit stability or transistor interchangeability, the necessary tests may be made while the circuit is still in the experimental stage. Parts changes, if required, can be made before the circuit design is "frozen."

**Reader's Circuit.** An interesting two-transistor receiver circuit utilizing the complementary properties of *n-p-n* and *p-n-p* transistors is given in Fig. 2. The basic circuit design was submitted by reader Roy Frank, of 4783 Fair Ave., Oakland 19, Calif., and the transistor types specified are manufactured by *General Transistor*.

*L1* is a ferrite transistor antenna coil (*Lafayette* No. MS-299). *C1* is a standard 365- $\mu$ fd. variable capacitor and *C2* a 0.05- $\mu$ fd. paper or ceramic capacitor. *R1* is a 470,000-ohm, 1/2-watt carbon resistor, *S1* a s.p.s.t. toggle or slide switch and *B1* two penlite cells connected in series to supply three volts. Standard moderate-to-high-impedance (2000 to 4000 ohm) magnetic headphones are used with the receiver. A medium-length external antenna is



needed in most localities, but a ground is not necessary for the reception of nearby stations.

You can assemble this simple receiver on a small metal chassis or in a wooden or plastic box. Parts layout and lead dress are not critical. For optimum operation, you may want to experiment with the values of *C2* and *R1*. Try values from 100  $\mu$ fd. to 0.05  $\mu$ fd. for *C2*, values from 250,000 ohms to 1 megohm for *R1*. Choose the final values which give the best results with your individual transistors.

In operation, r.f. signals picked up by the antenna (*Ant.*) are selected by tuned circuit *L1-C1*. *C1* may be adjusted to tune the desired station. A tap on *L1* permits a match to the comparatively low input impedance of the first stage and prevents excessive loading of the tuned circuit. *C2* serves as a d.c. blocking capacitor for the base bias current supplied through *R1*. Amplification and detection occur in the two-stage direct-coupled transistor amplifier.

**In Other Lands.** We've received a note from Mr. R. V. Parrett of Ellison Queale Radio Supply, Ltd. (1205 Quadra St., Victoria, B. C., Canada), who would like us to "pass on the word" that Canadian readers can obtain transistor components and sup-

(Continued on page 142)

POPULAR ELECTRONICS



ALL AMATEUR  
mitters re  
are normally  
cial power line  
of how power  
to pass the Ge  
Technician lic

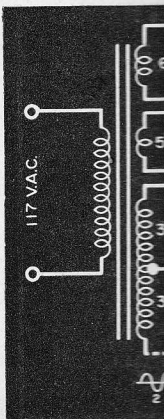
The followin  
1, which is a ba  
operated power

### The Power 1

seventeen-volt,  
the primary w  
*T1*, which con  
a laminated in  
other. A typ  
transmitter tra  
cross-sectional  
inches and a p  
turns, or three  
erful transform  
fewer turns pe

Of course, 3  
core have quit  
when 60-cycle  
alternating m  
around it. Th  
counter volta  
which is just  
original volta  
voltages cancel

Fig. 1



# who is the most photogenic girl in the world?



ED SULLIVAN, famed CBS showman, picked her from more than a thousand photographs submitted by cameramen throughout the globe!

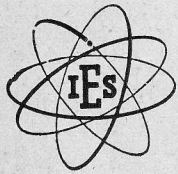
PETER GOWLAND, renowned glamour photographer, photographed her on the world's fastest color film—the new Super Anscochrome!

AND POPULAR PHOTOGRAPHY will include an actual color slide (ready to flash on your wall) of THE MOST PHOTOGENIC GIRL IN THE WORLD in its big September issue on 35mm photography.

It's typical of the extra features you'll enjoy in September POPULAR PHOTOGRAPHY's Special 35mm issue.

Look for it at your favorite newsstand.

**On Sale Now—Only 35¢**



## ELECTRONIC TECHNICIANS ARE IN DEMAND TRAINED MEN ARE NEEDED NOW!

In just 18 months you can complete Electronic Technicians training to enter this ever-growing industry. Day or evening classes. Opportunity for employment in local industry. Approved for Korean Veterans.

Terms beginning September, January, April, July  
Write for Catalog 224 TODAY

**INDIANAPOLIS ELECTRONIC SCHOOL**  
312 E. Washington St. Indianapolis 4, Indiana

## AMAZING NEW "LIFETIME" RADIO

"TI-NEE" RADIO IS GUARANTEED TO WORK FOR YOUR LIFETIME! USES NO TUBES, BATTERIES OR ELECTRICAL PLUG-INS. Never turns down! SMALLER THAN A PACK OF CIGARETTES! RECEIVES LOCAL RADIO STATIONS MOST ANYTIME. ANYWHERE WITHOUT EXTRA ANTENNA. Uses semi conductor crystal diode—Hi-Q Tuner. Beautiful black gold plastic cabinet. Built-in Speakerphone.

**SEND ONLY \$2.00** (bill, ck, mo) and pay postman \$4.99 COD on arrival or send \$6.99 for postpaid delivery. SENT COMPLETE READY TO LISTEN—NOTHING EXTRA TO BUY EVER! (Extra long distance Aerial kit included free for stations up to 1000 miles away.) Available only from:  
**MIDWAY COMPANY, Dept. GPL-9, Kearney, Nebraska**



Hi-Fi Amplifier Kit \$28.50

And they have the finest features and specs. Fully illustrated step-by-step 28-page manual makes assembly a snap! WRITE FOR FREE CATALOG!

**QUAL-KITS  
ARE  
EASIEST!**



Hi-Fi AM-FM Tuner Kit \$28.95\*

**QUALITY ELECTRONICS**  
Dept. P-9

New York 13, N. Y.

319 Church Street

142

leads had flaked off and we weren't too sure of connections. However, once this component was mounted, we found that the leads almost "fell in place."

In use, the sweep generator is connected to the "input" of the r.f. or i.f. amplifier to be tested or aligned. A standard oscilloscope is connected to observe the signal across the amplifier's second detector. If an individual stage is to be studied or checked, a separate broadband detector probe is employed with the 'scope. Finally, a connection is made between the *Scope Hor.* terminals of the sweep generator and the *Horizontal Input* terminals of the oscilloscope—the internal linear sweep of the 'scope is not used. With the 'scope and sweep generator controls adjusted, the frequency response curve of the amplifier under test is displayed on the screen of the cathode-ray tube.

All factors considered, the Model 368 represents a good buy for the experimenter who works with FM tuners, TV receivers, or similar types of equipment. And the assembly of the instrument is an especially good project for the advanced student.

-30-

## Transistor Topics

(Continued from page 92)

plies from his firm. And he has a pamphlet of transistor projects available to anyone free for the asking. Be sure to drop him a card requesting a copy.

There are a couple of interesting developments in Germany. Elektromedizinische GmbH. is offering a battery-operated transistorized electronic stethoscope to the medical profession. And Audio-Master of New York is marketing a German-made transistorized three-speed portable phonograph which lists at \$89.50, plus tax.

Although Britain is probably about two years behind advanced U. S. firms in the transistor field, she is rapidly "catching up." Some eight major British firms are rushing transistor production. The estimated 1956 production of British transistors is about 500,000 units. Somewhere between one and ten million units is expected in 1957.

We've heard that General Electric Co., Ltd. expects 1957 sales of about 500,000 units, with a fair percentage exported. Several other Anglo-American firms are being formed, including Sylvania-Thorne and Semiconductors Limited—the latter being a joint effort of Philco (American) and Plessey Co., Ltd. (British).

**Product News.** The J. W. Miller Company (5917 S. Main St., Los Angeles 3,

Always say you saw it in—POPULAR ELECTRONICS

LET RCA TR  
LIFETIME CAR



Resident classes, day start September 26th, 1957, and P May 20th, 1958. Placement service. Veterans. Send for now.

**RCA INSTITU**  
A Service of Radi  
850 West 4th St.,

## TRAN 2 fo

- Save dollars on ity surplus p-n
- Receive our regu mailing your get

**THE R**  
P. O. BOX 175  
DEPT. P

## RADIO-TV



postpaid . . . A REAL SE  
**EKERADIO ELEC**  
646 North Fair Oaks

FEATURING FA

# TUB

- INDIVIDUALLY B
- GUARANTEED O
- FACTORY BOXED
- FACTORY IRREGULAR
- NEW JAN SURPLUS
- EQUIPMENT TUBES

## ALWAYS 10 TYPES IN ST

EXPORT ORDERS MANU  
INVITED ORDER

Remember—You Buy Qu  
You Buy Standard. Qu  
Shouts—It Always Whisp  
Used Tubes, Electrically  
tory Seconds, Brand N  
Seconds and New and Us  
plus Tubes.

FREE POSTAGE! On  
Shipped In U.S.A., Terr  
A.P.O.'s. Send 25c for  
orders under \$5.00. P  
approx. postage on Ca  
foreign orders. Exce  
refunded.

September, 1957

# Shrinks Hemorrhoids New Way Without Surgery

Science Finds Healing Substance That  
Relieves Pain—Shrinks Hemorrhoids

For the first time science has found a new healing substance with the astonishing ability to shrink hemorrhoids and to relieve pain—without surgery.

In case after case, while gently relieving pain, actual reduction (shrinkage) took place.

Most amazing of all—results were so thorough that sufferers made astonishing statements like "Piles have ceased to be a problem!"

The secret is a new healing substance (Bio-Dyne\*)—discovery of a world-famous research institute.

This substance is now available in *suppository or ointment form* under the name *Preparation H*.\* Ask for it at all drug counters—money back guarantee.

\*Reg. U.S. Pat. Off.



Let me show you

## HOW TO SPEAK AND WRITE LIKE A COLLEGE GRADUATE

I have helped thousands of men and women who have not had college training in English to become effective speakers, writers, and conversationalists. With my new C. I. METHOD, you can stop making mistakes, build up your vocabulary, speed up your reading, develop writing skill, learn the "secrets" of conversation. You don't have to go back to school. Takes only 15 minutes a day at home. Costs little. 32-page booklet mailed FREE upon request. Send me a card or letter TODAY!

Dept. 1049

Don Bolander, Career Institute  
25 East Jackson Chicago 4, Illinois

## Knock Out RADIO NOISE



Humm, buzz, scratch... caused by vacuum cleaners, shavers, power tools, and other appliances—FILTEROL 400 silences them all... and no foolin! ZERO length ground connection makes FILTEROL work where others fail. No wiring. Just plug it into any outlet... and then plug in your radio. Only \$7.45 with 10-day money-back guarantee. Send check or money order only to FILTEROL DIV., SPRAGUE PRODUCTS CO., N. Adams, Mass.

## EASY TO LEARN CODE

Learn or increase speed with an Instructograph—the Radio-Telegraph Code Teacher that takes the place of an operator-instructor and enables anyone to master code without further assistance. Available tapes from beginners alphabet to typical messages on all subjects. Speed range 5 to 40 WPM. Always ready—no GRM. Thousands have "acquired the code" with the Instructograph System. Write today for convenient rental and purchase plans.

INSTRUCTOGRAPH COMPANY  
4713-F Sheridan Road, Chicago 40, Illinois

MAKE SURE, SAFE  
INSULATED  
Electrical Connections

With The New

### SUPER CHAMP Hand Tool

The ONE Tool for ALL Wire Sizes used in Home Wiring, Appliances, Automobiles.  
CUTS Wire—STRIPS Wire sizes #22-#10  
CRIMPS Solderless Terminals and Connectors without solder or tape for safe connections  
SHEARS Bolts and screws without damaging threads—no filing or hack sawing.



ORDER DIRECT—USE COUPON

Satisfaction guaranteed or money back FREE with Each Tool

NAME \_\_\_\_\_

Send me post paid the new Super Champ Hand Tool. I am enclosing \$3.95.

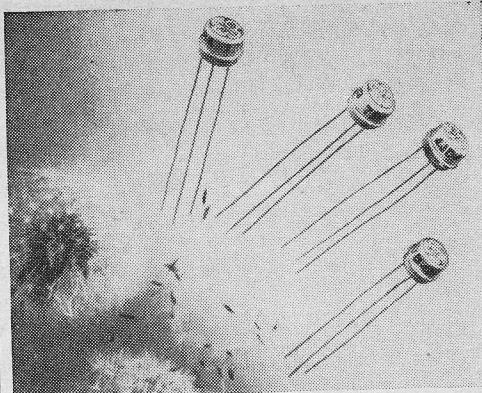
ADDRESS \_\_\_\_\_

(Ohio residents add 1% sales tax.)

CITY \_\_\_\_\_

check  money order

PEN-OHIO DIST. CO., 2631 N. Main St., Dayton 5, Ohio



General Electric's high-frequency silicon transistors compared in size with "seeding" dandelions.

Calif.) has introduced a new transistorized receiver kit. Catalog No. 555, the receiver is named the "Transistall." It uses a unique reflexed arrangement to achieve four-transistor performance with a three-transistor circuit.

Production of a new line of high-frequency, high-temperature silicon transistors has been stepped up by General Electric (Syracuse, N. Y.) to meet increasing industrial demands. Manufactured by the diffused-meltback process developed in G.E.'s Advanced Semiconductor Laboratory, these new units are rated at 25 mc. but can provide useful gain up to as high as 50 mc. Gain ratings vary from 12 to 30, depending on type, with a 150-mw. collector dissipation rating at room temperatures.

From the Argonne Manufacturing Company (27 Thompson St., New York 15, N. Y.), famous for its line of miniature audio transformers, comes news of three new subminiature i.f. transformers. Designed for 455-kc. i.f. stages, these units measure *only 3/8" in diameter by 3/8" high*, yet feature slug-tuning and a molded-in fixed capacitor. Anticipated selling price is slightly over one dollar at all Argonne distributors. Type Nos. are AR-220 (Input), AR-221 (Interstage), and AR-222 (Output).

The General Transistor Corporation (91-27 138th Place, Jamaica 35, N. Y.) is offering especially matched pairs of *p-n-p* and *n-p-n* transistors for complementary-symmetry applications.

Clevite Transistor Products (241 Crescent St., Waltham 54, Mass.) now manufactures a semiconductor diode which uses a silicon-germanium alloy. These units combine the better high-temperature performance of silicon with the higher forward conductance characteristics of germanium.

Well, fellows, that about does it for now... see you next month.

Lou

## POPULAR ELECTRONICS

### MAGNETIC

Complete with Tone and Volume

High impedance coil specially designed for easy mounting without special attention in mounted position raised or lowered to create varying tones. 8 ft. cable and 1/4" plug. Shpg. wt. 2 1/2 lbs. PA-38

Lafayette R

19.95



## GOOD

SCOPE TRANSFORMER—a scope wrapped up in a 230 volt, 50/60 cycle, 6.3 v/0.6 amp; 700 vct; 6.3 v/0.6 amp; 2 1/2 give 1225 volts for Dumont, 5 lbs. SGP1/SBP1XXX

TRANSFORMERS—The 1000 v/30 mils; 6.3 4000 v/10 mils; 6.3 6.3 vct/1 amp; HV 2 2 x 120 vct/10 mils 2.5 v/10 amp; 6.3 v

AL JOE PALMER, 1440

TUBES-TV, Radio Types At Sensibly Quality Top Name or Call Walker 512 Broadway, New

STEREOPHONIC Po 646 North Fair Oaks

WALKIE-TALKIE of this issue. Springfi

CITIZEN'S band ra receiver and inform requirements, etc. p proved transceivers. prises, Box 54-E9, Sp

WALKIE-TALKIE. phone for less than quency and crystal including assembly prises, Box 54-E9, Sp

September, 1957